



FD7-150

Drilling Unit

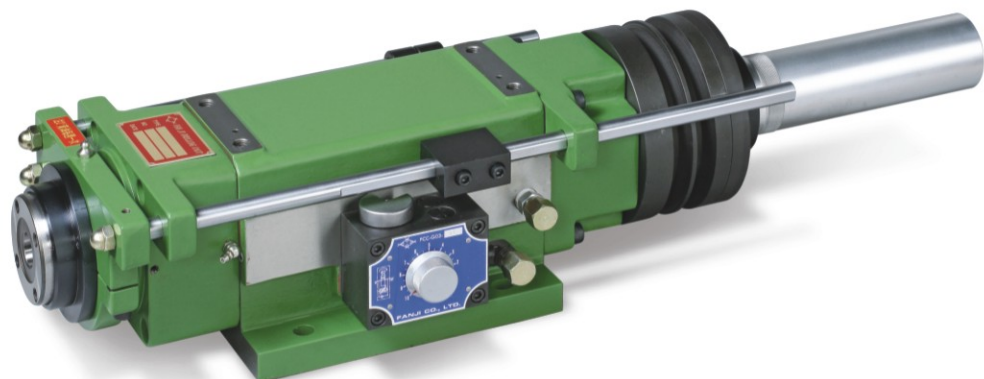
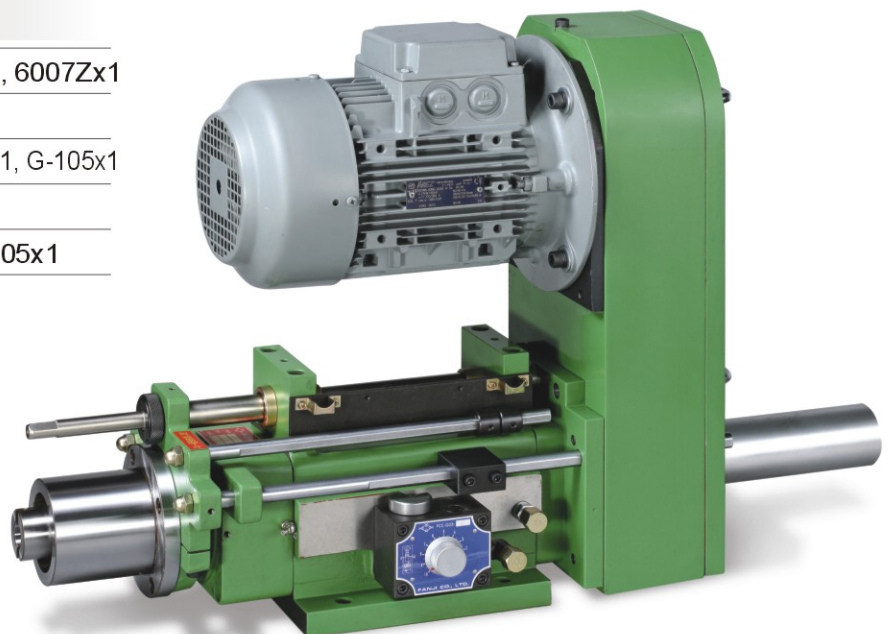
Specification

Hydraulic Pressure	20~35kg/cm ²
Drilling Capacity	φ 25(mild steel)
Flow Control Valve	FCC-G03-8
Max. Revolution/Minute	1,500rpm
Weight	63kg
Stroke	150mm
Cylinder Diameter	φ 110
Cylinder Area	Forward 71.2cm ² , Backward 44.8cm ²
Thrust Force	1,420kg(20kg/cm ²)

Consumption Parts

Spindle Bearing	32008x1, 6008Zx1, 32007x1, 6007Zx1
Pulley Bearing	6013Zx1, 51213x1
O-Ring for Front Cover	DH80x1, P-80x1, T601-80-90-6x1, G-105x1
O-Ring for Piston	P-100x2, G-65x1
O-Ring for Rear Cover	P55x1, T601-55-65-6x1, G-105x1

- The unit can be mounted on machine with its base or front end.
- Left side mounted fitting holes and flow control valve are available, specify this requirement when placing order.
- The stopper is a safety device. It will shorten bearing life if applying pressure on stopper constantly or too long.
- If mounting multiple spindle head to this unit, please choose spindle type: FD7M-150M-MT3B.

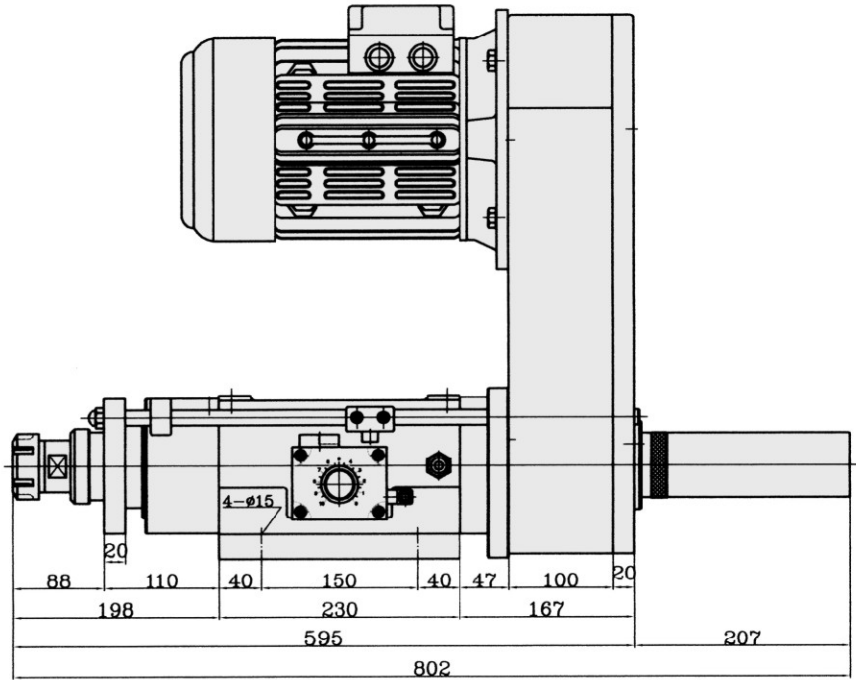
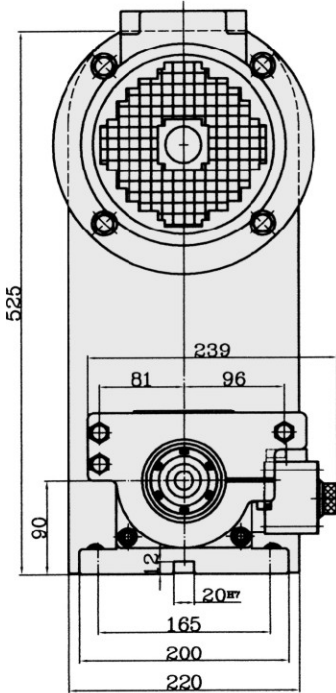




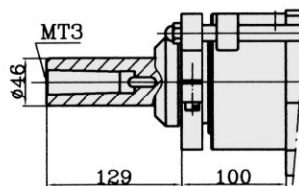
FD7-150

Drilling Unit

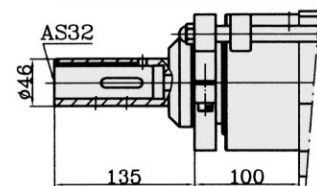
■ Dimensions



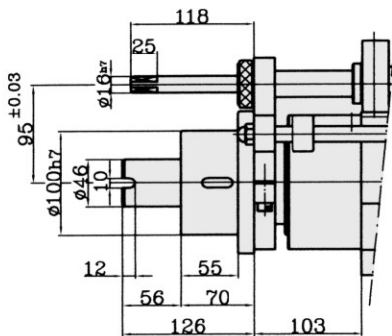
FD7-150-MT3A



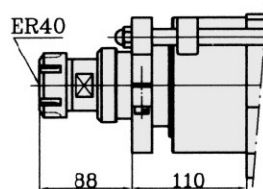
FD7-150-AS32



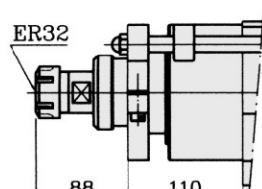
FD7M-150-MT3A For multiple or single spindle



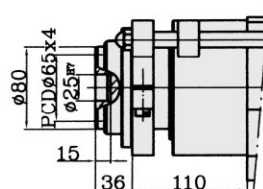
FD7-150-ER40



FD7-150-ER32



FD7-150-FB30



FD7M-150-MT3B Multi

